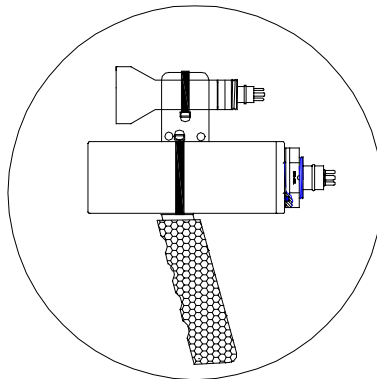
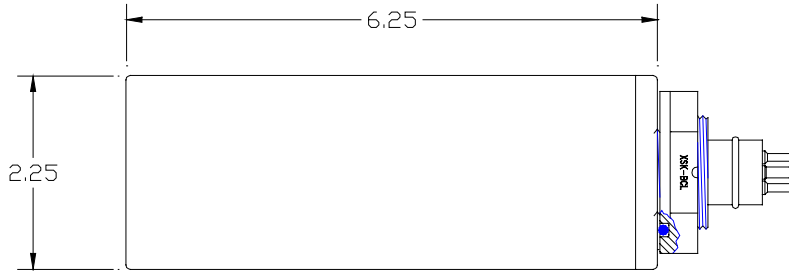


0010770

# COLOR ZOOM CAMERA MODEL UWC-575

DIVER, ROV, OR DROP UNDERWATER  
COLOR VIDEO CAMERA

JAN.,05



ASSEMBLED FOR DIVER USE

**USES INCLUDE: DIVER, ROV, MANIPULATOR ARM, DROP CAMERA, ETC.**

**MECHANICAL:**

- Weight..... 1.28lbs. (.58kg)Dry  
Wet .4 lbs. (.2 kg)
- Depth Rating..... 3300 ft. (1000 m)
- Housing.....6061-T6 Anodized Aluminum
- Housing port..... Acrylic

**ELECTRICAL:**

- Image Device.....1/4" CCD Sensor  
768 H x 494 V, Pixels
- Sensitivity..... 2 lux (object)
- Resolution..... 470 Horz. lines.
- PWR..... (9-30 VDC) @ 300 ma.

**OPTIONS:**

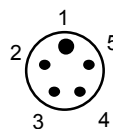
1. CCIR (PAL) Format.
3. Logic control of zoom/focus.

**OPTICAL:**

- Lens ..Optical (10-1)4.2-42mm, f1.8-2.7,  
Digital (4-1) 42-176mm, Auto-Iris Zoom.
- Focus..... Auto or remote,  
macro to Infinity.
- Horz. FOV(in water)..... 46 to 4.6 degrees.  
(optical)

**CONNECTOR:**

Standard Connector..... XSK-5-BCL  
(Mate is RMK-5-FS)



1. Video
2. Ground/Common
3. +9 to 30 VDC
4. Data +
5. Data -

2. Customer specified connector.